



# Production/Mixing

June 2020

# Production/mixing

## **Complete plants (automated) for the continuous or batch production of chemicals.**

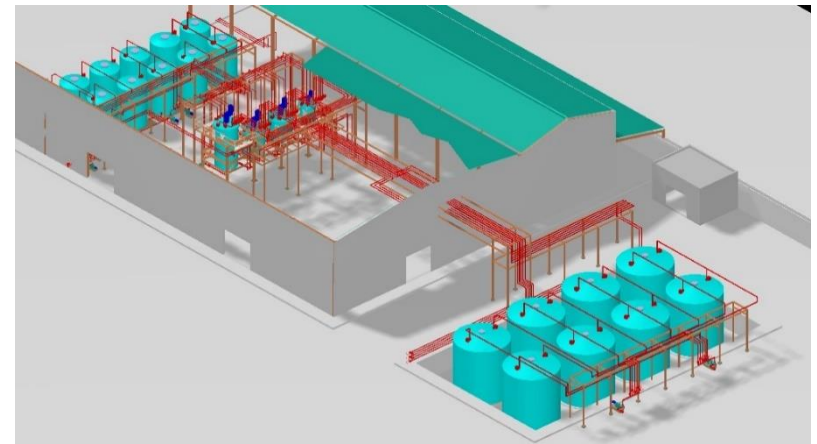
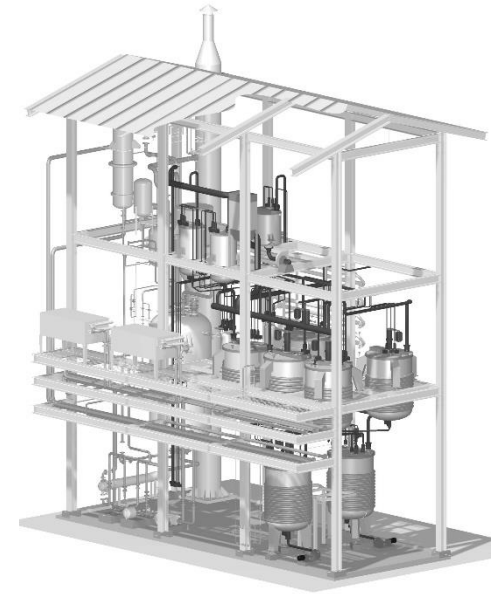
We have long experience in plants controlled by computer able to prepare automatically the recipes.

### **We can supply key-hand plants complete of:**

- Reactors and mixers
- Piping and valves
- Storage tanks
- Support carpentry
- Power and computerized control system

### **The above mentioned plants can be used to prepare:**

- ✓ Chemicals for different uses
- ✓ Cosmetics
- ✓ Detergents
- ✓ Auxiliary chemicals to be used in textile or tanning industries for finishing
- ✓ Blending of lubricants



# Production/mixing

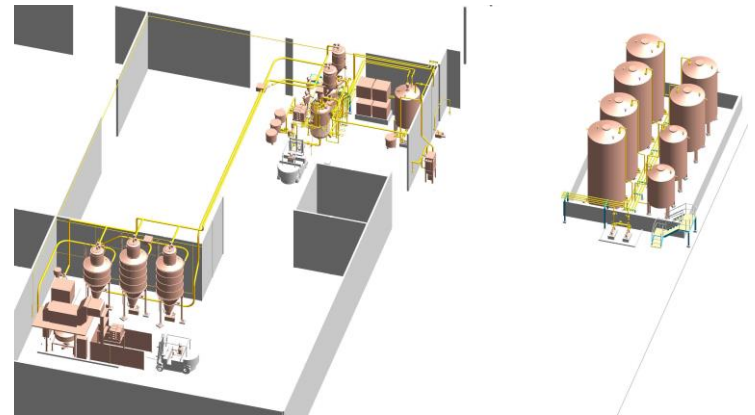
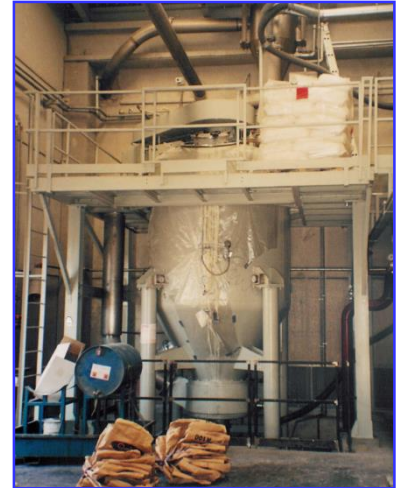
**Complete plants for adhesive paste production (to be used in adhesive tapes production or in shoes production or to be sold in the market).**

Mixers equipped with special stirrer, feasible for an efficient and fast dissolution of components to be mixed.

**Complete plants for preparation of PU paste (polyurethane) /PVC paste in synthetic leather production.**

We have references for several automated plants in this sector:

- Up to 4.000 kg per batch
- Completely automatic plant controlled by a computerized system in order to guarantee very accurate composition
- Vacuum working
- Automatic loading for all components including powders
- Suitable for discharge the paste into the tanks to feed the coating lines

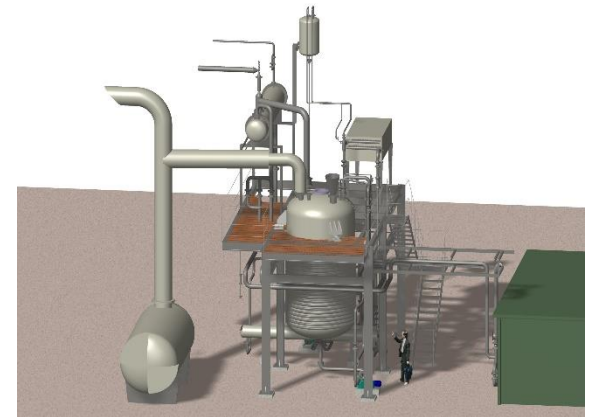
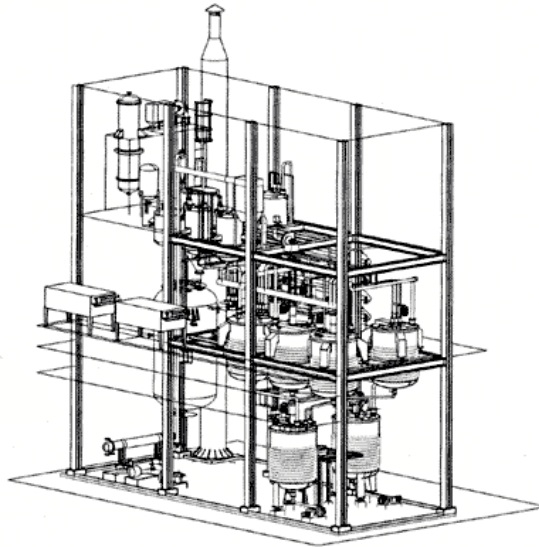


# Production/mixing

## Resins production plants

Key-hands plants complete of technology (process formulations + training):

- ✓ Brominate resins
- ✓ Polyester PE unsaturated
- ✓ Polyester PE saturated
- ✓ Epoxy
- ✓ Acrylic
- ✓ Phenolic
- ✓ Alkyd



*thank you*



**Termomeccanica Industrial Process**

---

**Termomeccanica Group**

**TM.I.P. S.r.l. - Termomeccanica Industrial Process**

Via Fossamastra 22- 19126

La Spezia – Italy

Tel. +39 0187 513.410 - Fax. +39 0187 515.352

[www.tmip.termomeccanica.com](http://www.tmip.termomeccanica.com)