



Production/Mixing

August 2016

Production/mixing

Complete plants (automated) for the continuous or batch production of chemicals.

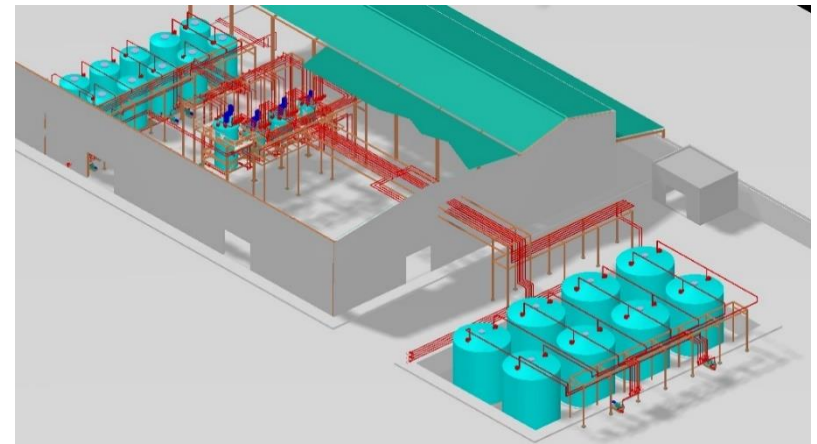
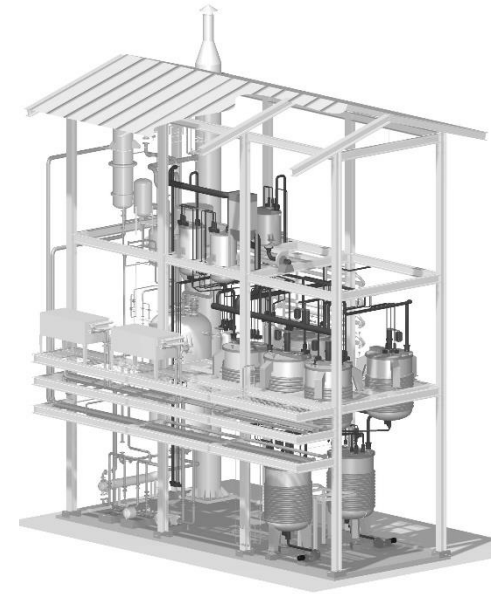
We have long experience in plants controlled by computer able to prepare automatically the recipes.

We can supply key-hand plants complete of:

- Reactors and mixers
- Piping and valves
- Storage tanks
- Support carpentry
- Power and computerized control system

The above mentioned plants can be used to prepare:

- ✓ Chemicals for different uses
- ✓ Cosmetics
- ✓ Detergents
- ✓ Auxiliary chemicals to be used in textile or tanning industries for finishing
- ✓ Blending of lubricants



Production/mixing

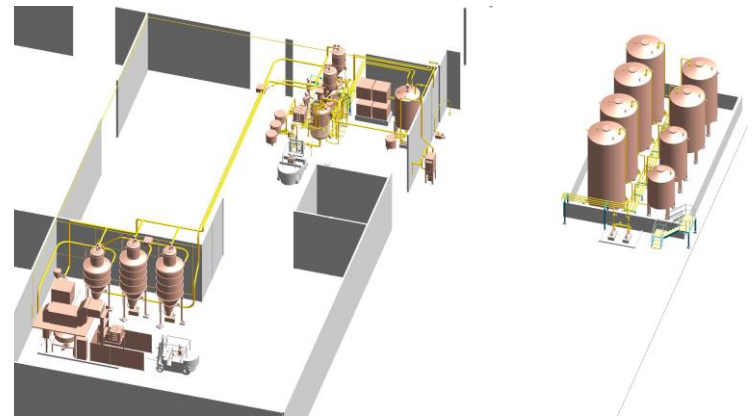
Complete plants for adhesive paste production (to be used in adhesive tapes production or in shoes production or to be sold in the market).

Mixers equipped with special stirrer, feasible for an efficient and fast dissolution of components to be mixed.

Complete plants for preparation of PU paste (polyurethane) /PVC paste in synthetic leather production.

We have references for several automated plants in this sector:

- Up to 4.000 kg per batch
- Completely automatic plant controlled by a computerized system in order to guarantee very accurate composition
- Vacuum working
- Automatic loading for all components including powders
- Suitable for discharge the paste into the tanks to feed the coating lines



Production/mixing

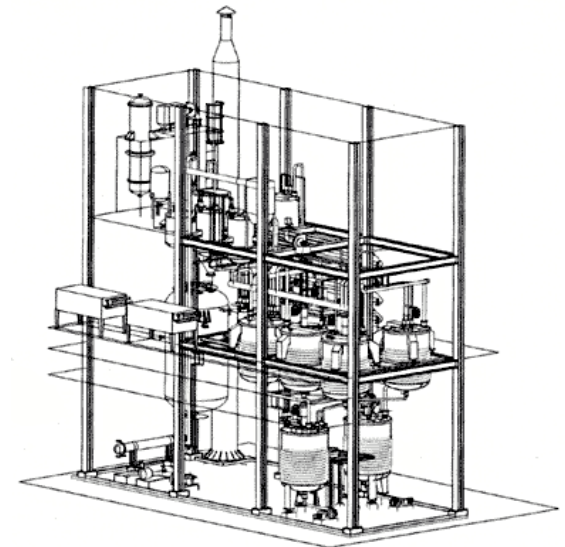
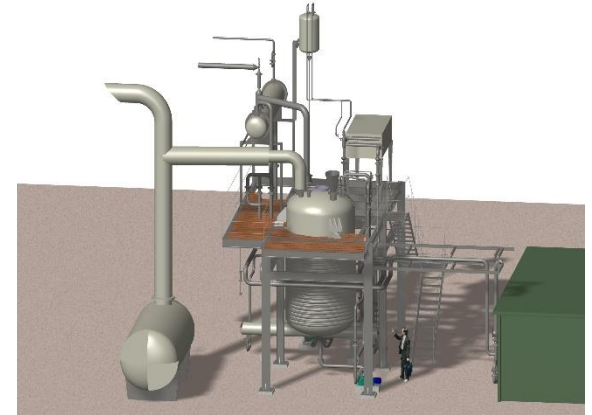
Resins production plants

Key-hands plants complete of technology (process formulations + training):

- ✓ Brominate resins
- ✓ Polyester PE unsaturated
- ✓ Polyester PE saturated
- ✓ Epoxy
- ✓ Acrylic
- ✓ Phenolic
- ✓ Alkyd

About Formaldehyde

- ✓ Formaldehyde production plants
- ✓ Wood board glue plants
- ✓ Paper impregnation resin plants
- ✓ **New technology and plants allowing the use of formaldehyde to improve the efficiency of Urea fertilizers.**



thank you



Termomeccanica Industrial Process

Termomeccanica Group

TM.I.P. S.r.l. - Termomeccanica Industrial Process

Via Fossamastra 22- 19126

La Spezia – Italy

Tel. +39 0187 513.410 - Fax. +39 0187 515.352

www.tmip.termomeccanica.com